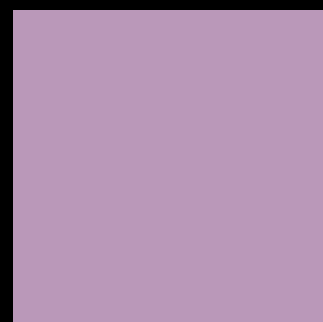
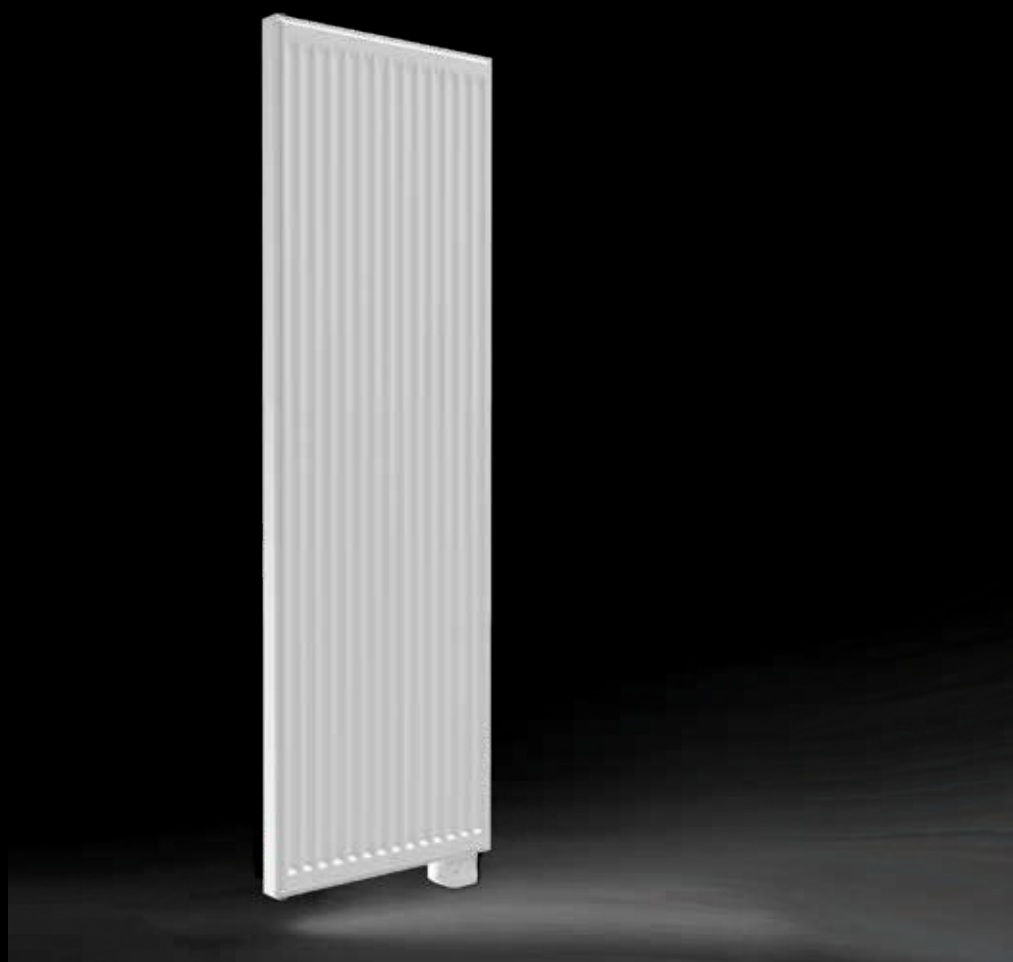




HENRAD

DISCOVER ALTO E



ELECTRICAL RANGE

GENERAL INFORMATION

ALTO E

The Alto E is the electric version of our Alto vertical radiator. It saves space due to its vertical design and only needs a socket to quickly achieve a high heat output.

Product:	electrical vertical panel radiator
Pre-installed:	prefilled with heating liquid. RF receiver mounted including 0,8 m of insulated cable with power plug.
Also supplied:	wall brackets, ETA safety screws and plugs, screws, plugs, installation instructions and RF thermostat
Lugs:	no lugs
Packaging:	Every radiator is sturdily packaged in high-quality cardboard and wrapped in plastic. The radiator's characteristics are shown on the label: Electric power – height – length.
Warranty:	10 years for the radiator and 2 years for the electrical components, as long as the installation instructions have been followed and Henrad's warranty conditions have been met.
Paint process:	All radiators are degreased, phosphated, primed and powder-coated in Henrad white 9016 as standard.
Colours:	Henrad white 9016 + 35 different Henrad colours and about 200 RAL-colours are possible
Colour RF-receiver:	White for all radiators in Henrad white 9016, A9010, A9003, NT110, NT120, SN110. Grey for all other colours.
Conformity:	EcoDesign 2018 (EU Regulation 2015/1188)
Technical data:	Voltage 220-240V ~50Hz, IPX4, Class II
Type:	11
Height:	1.800 mm
Lengths:	500 600 700 mm
Output:	1.250 1.500 1.750 watt

H1800			
Length	L 500	L 600	L 700
W	1.250 W	1.500 W	1.750 W
Art. N°.	0274A181105	0274A181106	0274A181107



RF THERMOSTAT

ECODESIGN
2018 COMPLIANT



INTELLIGENT RF THERMOSTAT

Temperature setting: Adjustable from + 10 °C to + 30 °C

4 possible operating modes: Auto (programming), Comfort, Eco, Frost protection

General usage: Choice of 2 application types:

Living room

7-day program: programming switches between Comfort and Eco. One temperature for Comfort and one for Eco can be set, with a maximum adjustable difference of 5 °C between the two.

Super Comfort function: the temperature is increased by 2 °C, adjustable from 20 to 120 minutes. Manually or via weekly program.

Bathroom

7-day program: programming switches between Comfort and Boost. The Boost can be programmed up to twice a day. Boost: the radiator delivers full power for a maximum of 60 minutes or until a maximum set ambient temperature is reached.

Open window detection: Automatic switch to frost protection mode when a significant temperature drop is detected.

Child safety: The control panel can be locked.

Control: Connection to the radiator is quick and easy. Can control multiple radiators.

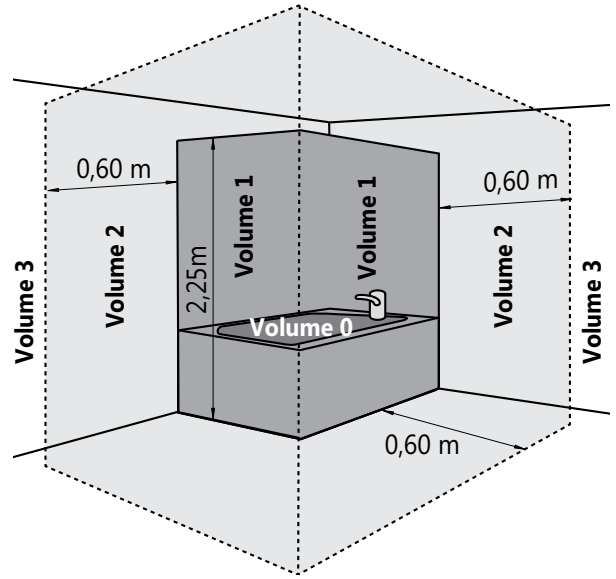
Ergonomic: backlit display, adjustment is simple and intuitive.

ELECTRICAL RANGE

MOUNTING AND INSTALLATION

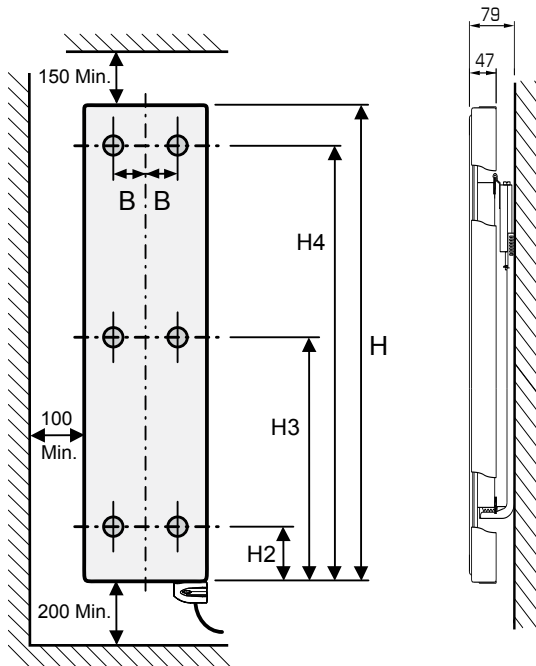
Alto E is a class II heater with an IPX4 protection rating and, as such, it can be installed in volume 2 or 3 of the bathroom (see figure), provided that it is shielded from water splashes, that the radiator is out of reach of persons in the bath or under the shower, and that it is plugged in a wall socket placed in volume 3. Furthermore, when installed in volume 2, the radiator must additionally be shielded by means of a fixed wall. The battery-operated thermostat should be positioned in volume 3 and out of water splash range (IP20).

The radiator must be installed with the heating element vertical and the control box in the lower section. It is prohibited to install the device with the control box in the upper section or with the heating element horizontal. The device is class II insulated and, therefore, it cannot be earthed. The device should be powered by a single-phase current of 220-240V ~50Hz.



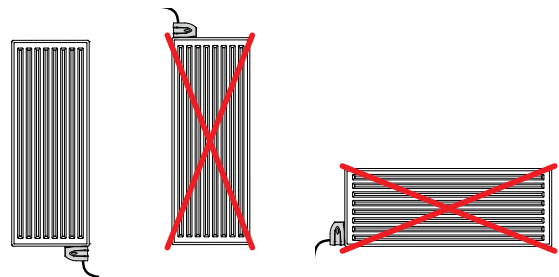
ATTENTION:

Malfunctioning control units need to be replaced by an identical model after consulting your wholesaler. When replacing the control unit by a different model, both warranty and conformity with the safety regulations will be void.



Length	B
L 500	130
L 600	180
L 700	230

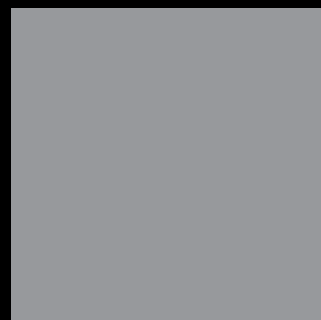
Height	H2	H3	H4
1800	160	830	1500



The complete mounting instruction can be downloaded from our website under technical informations of Alto E or via QR-code:



Australia • Belgium • Cyprus • Czechia • France • Germany • Greece • Iceland • Lithuania
Luxembourg • Norway • Poland • Slovenia • Sweden • The Netherlands • Tunisia • Ukraine



HENRAD

Henrad nv
Welvaartstraat 14 box 6 • 2200 Herentals • Belgium

WWW.HENRAD.EU

